

Kitset Conveyors

Description:

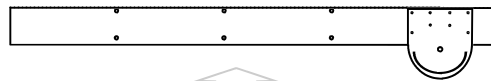
- Kitset: All parts provided, assemble on-site
- Adjustable legs to change the height and angle of the conveyor
 - Plastic Clip-together Belting
 - Nylon Sprocket Drive
 - Electric Motor
 - Variable Speed Control
- Available in 3,4 meter - 5,6 meter - 7,8 meter - 10 meter lengths
 - 600mm wide



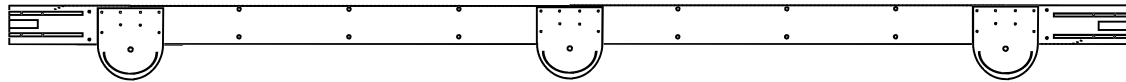
Specifications are subject to change without notice. Contact your nearest distributor/ agent for up-to-date specifications prior to purchase.

Kitset Conveyors

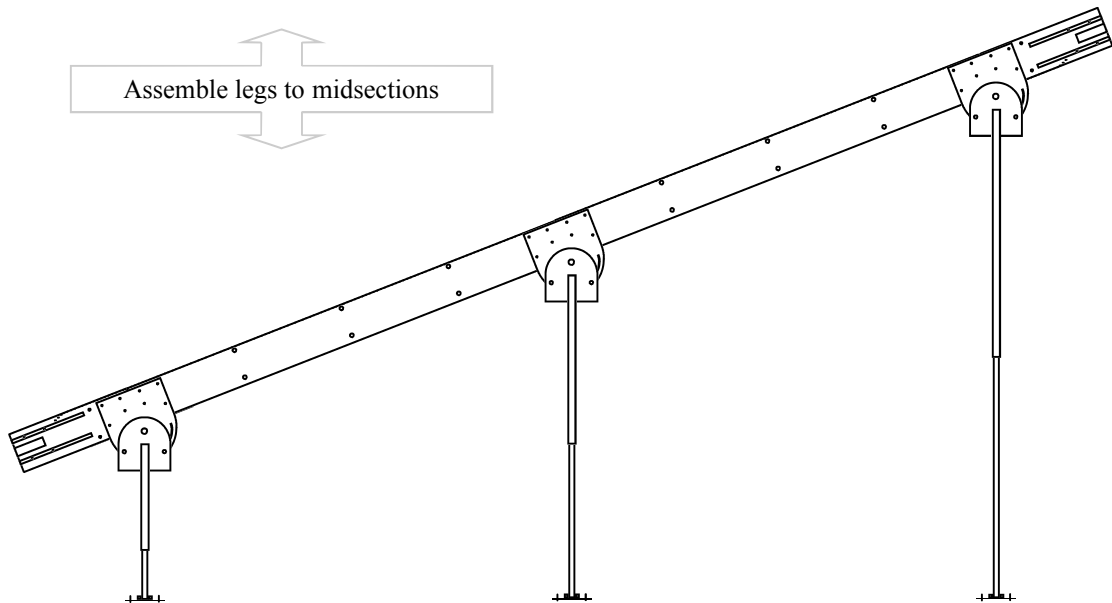
Assembly Description:



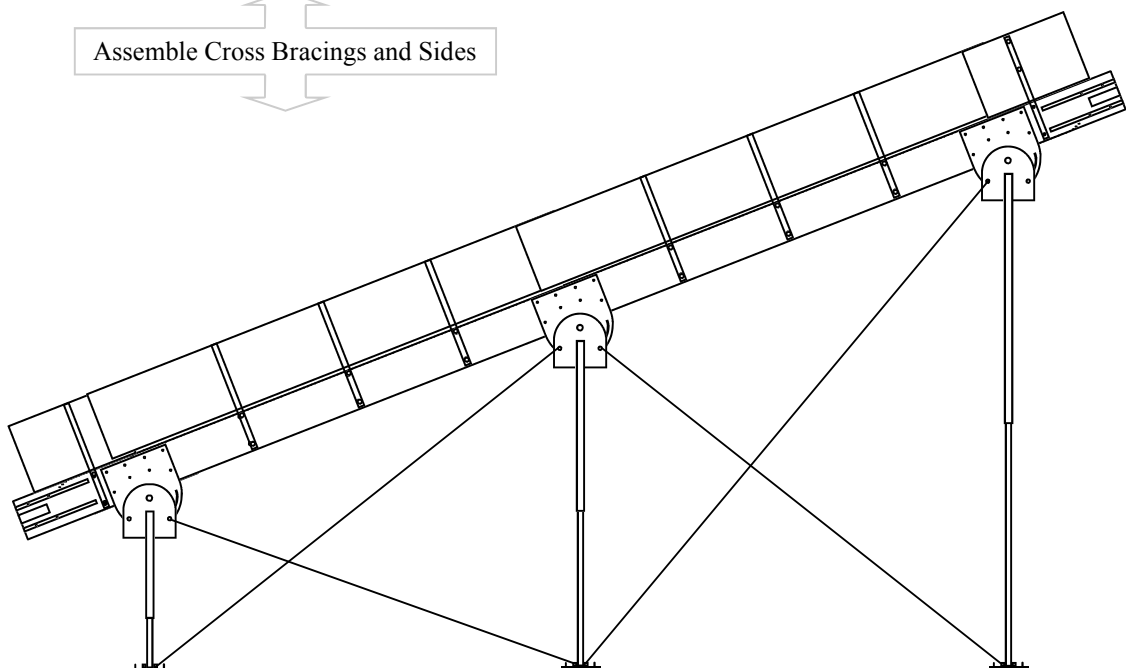
Assemble midsections to end rollers



Assemble legs to midsections



Assemble Cross Bracings and Sides



Specifications are subject to change without notice. Contact your nearest distributor/ agent for up-to-date specifications prior to purchase.